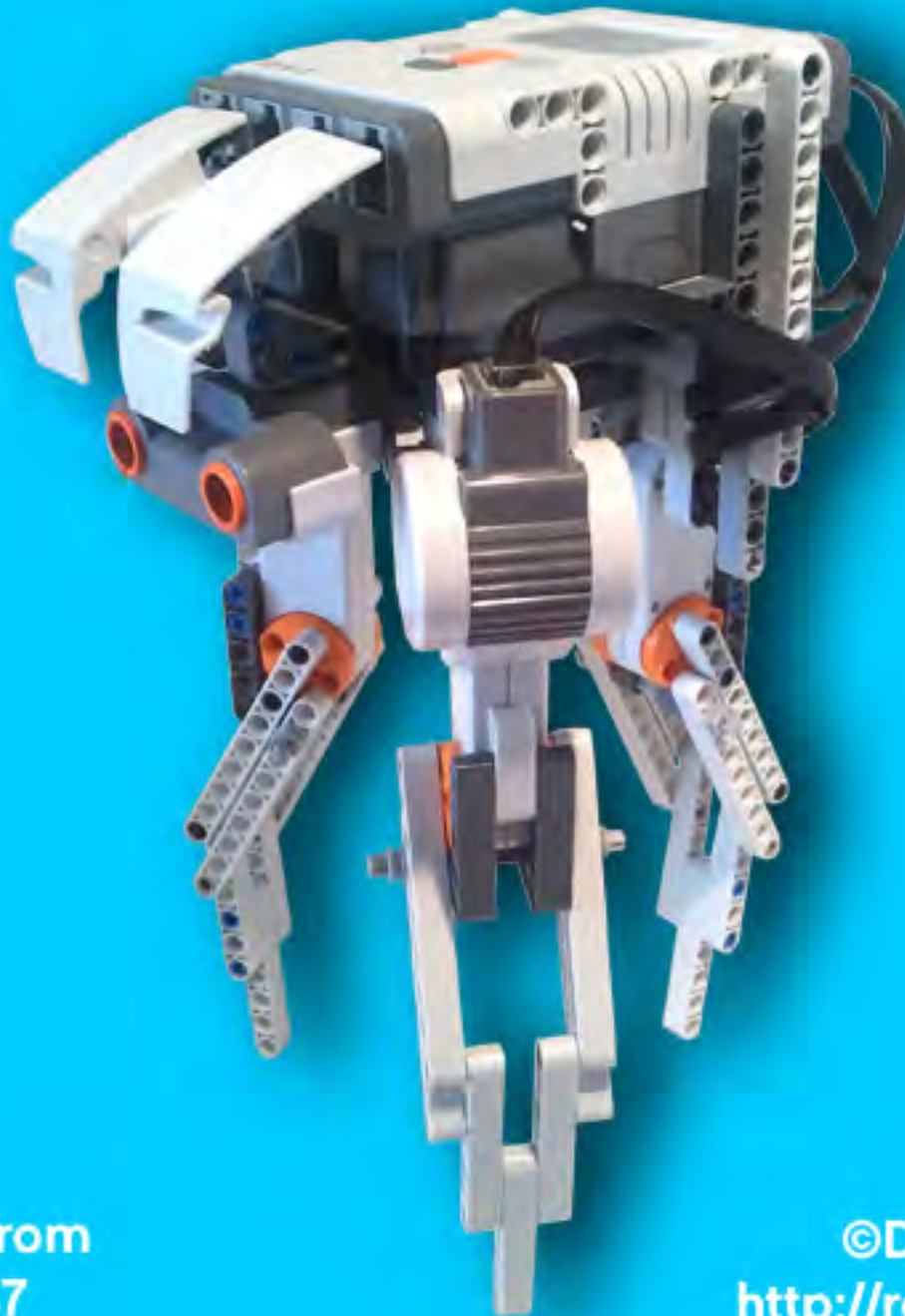


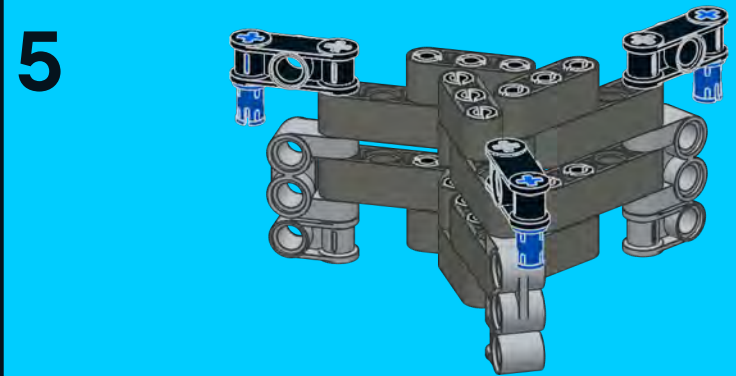
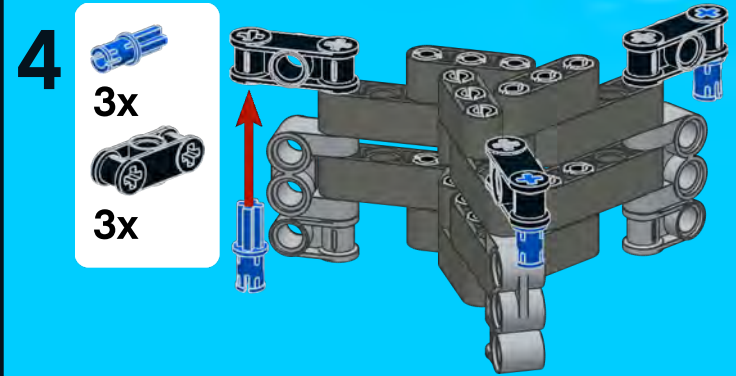
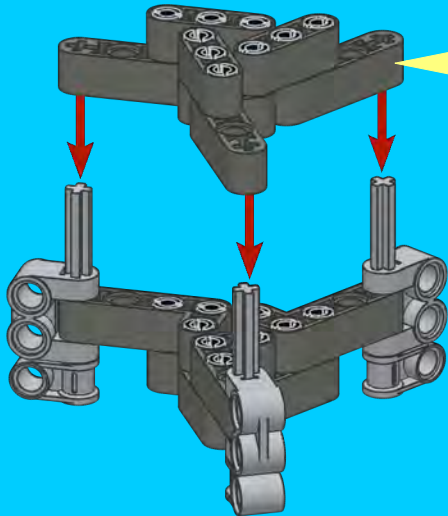
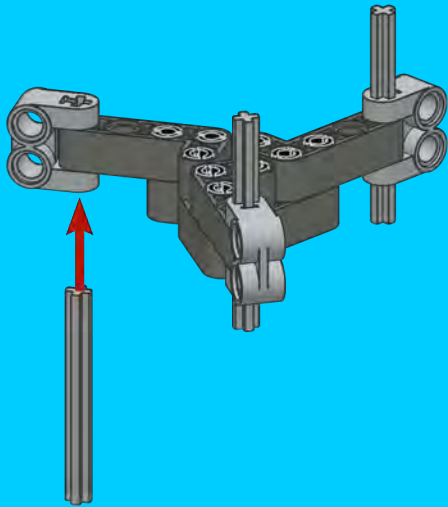
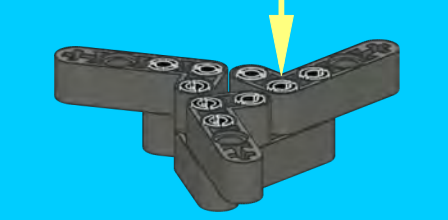
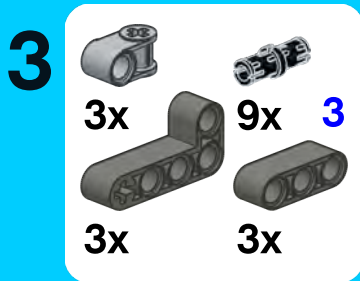
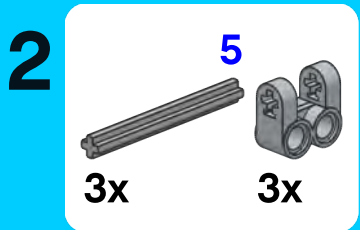
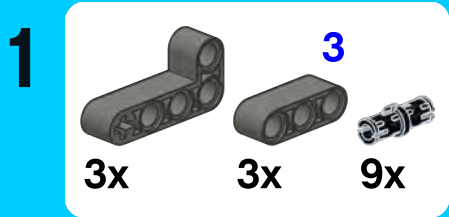
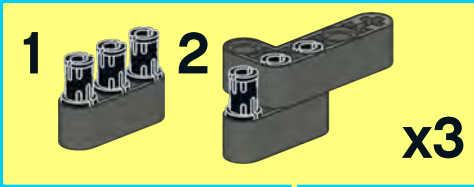


# TRIPOD



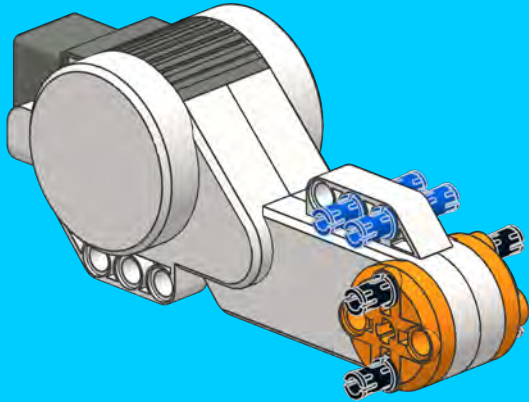
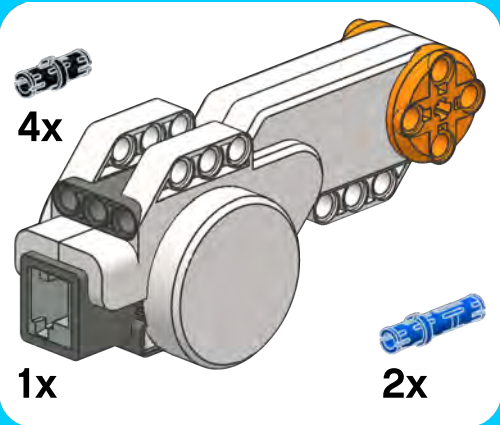
Requires only parts from  
NXT 2.0 retail set 8547

©Daniele Benedettelli 2012  
<http://robotics.benedettelli.com>

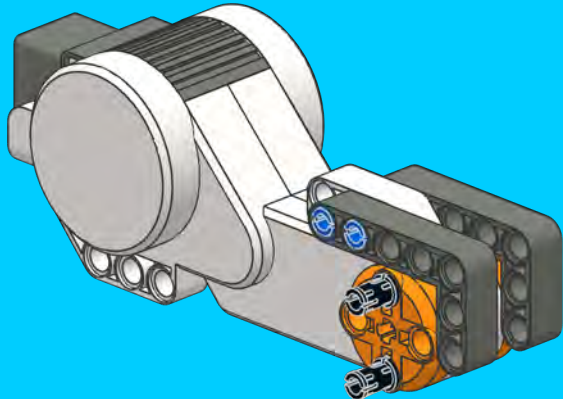
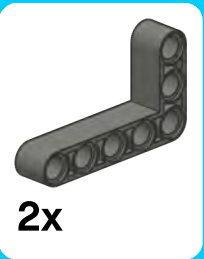




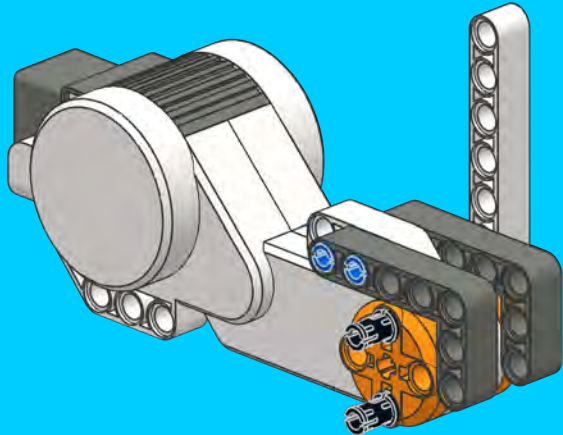
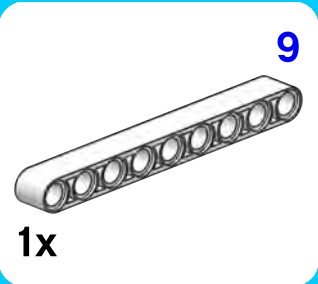
1



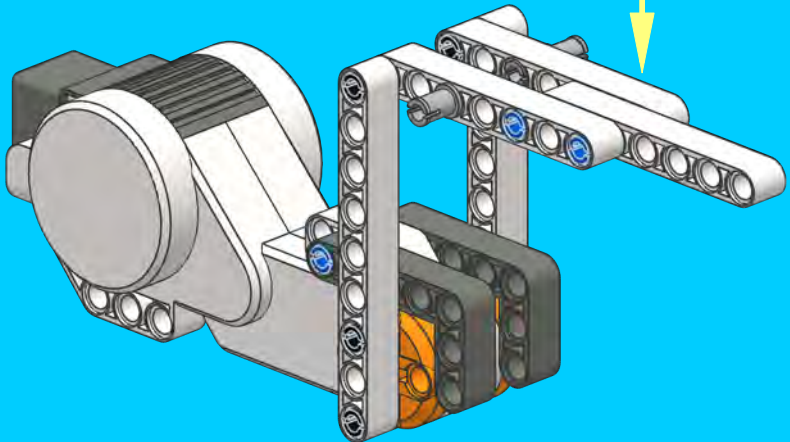
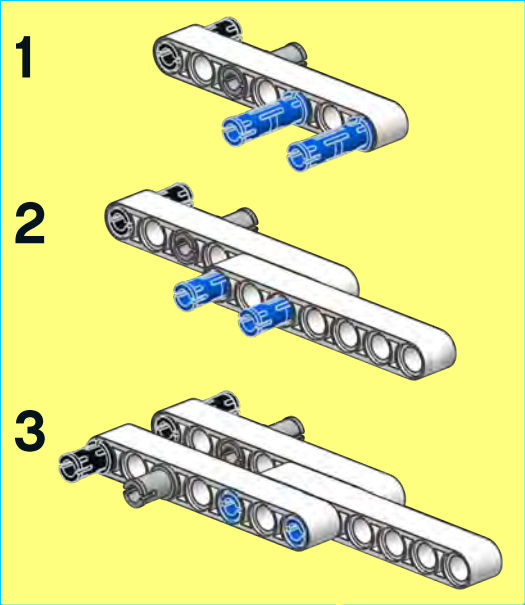
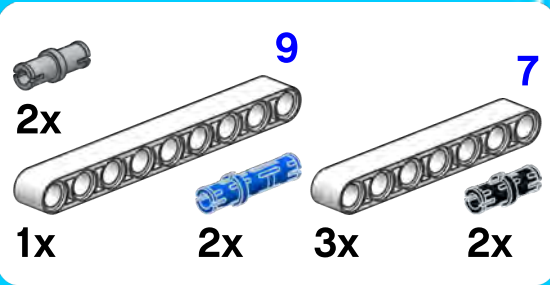
2



3



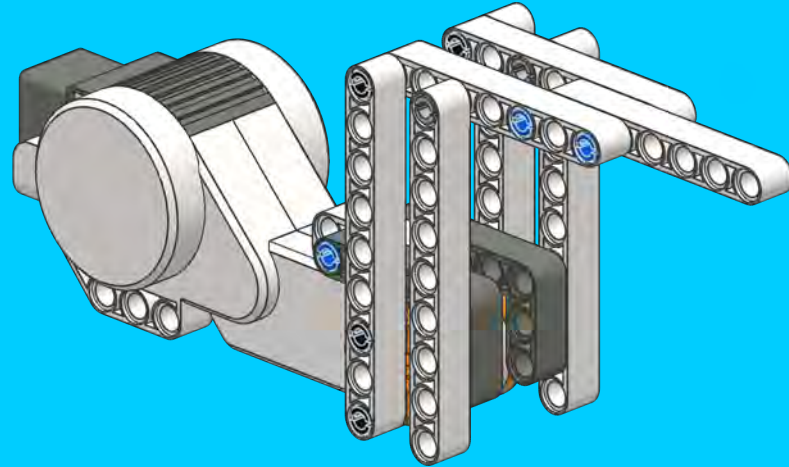
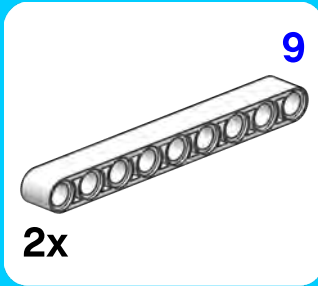
4



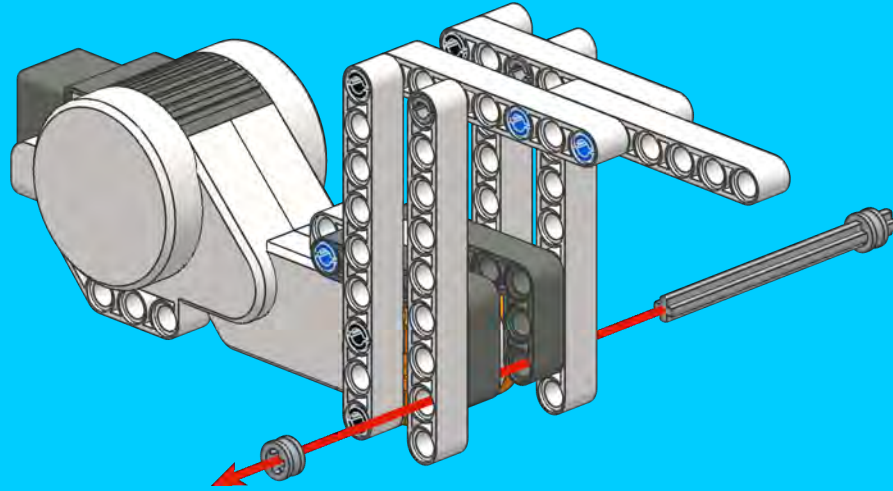
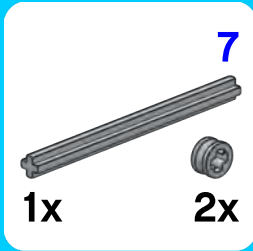




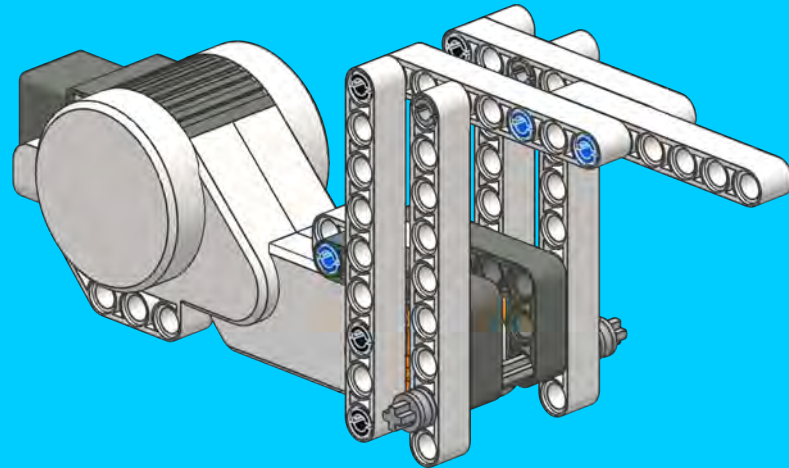
5



6

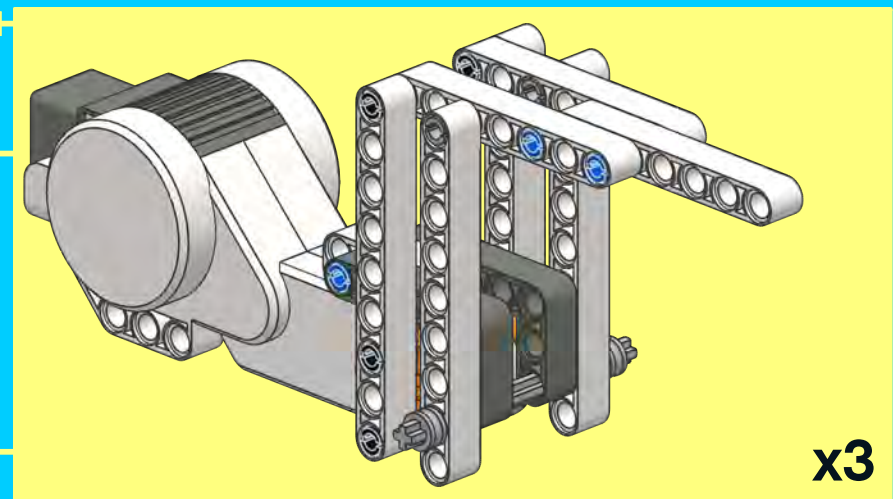
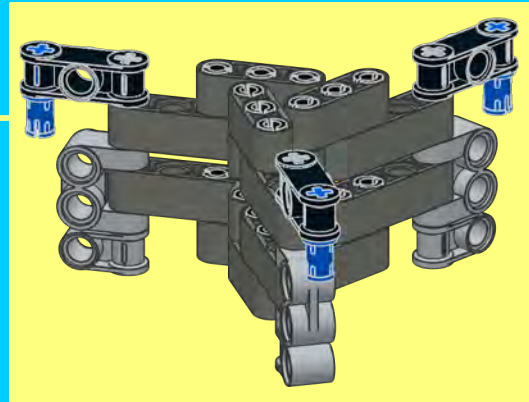
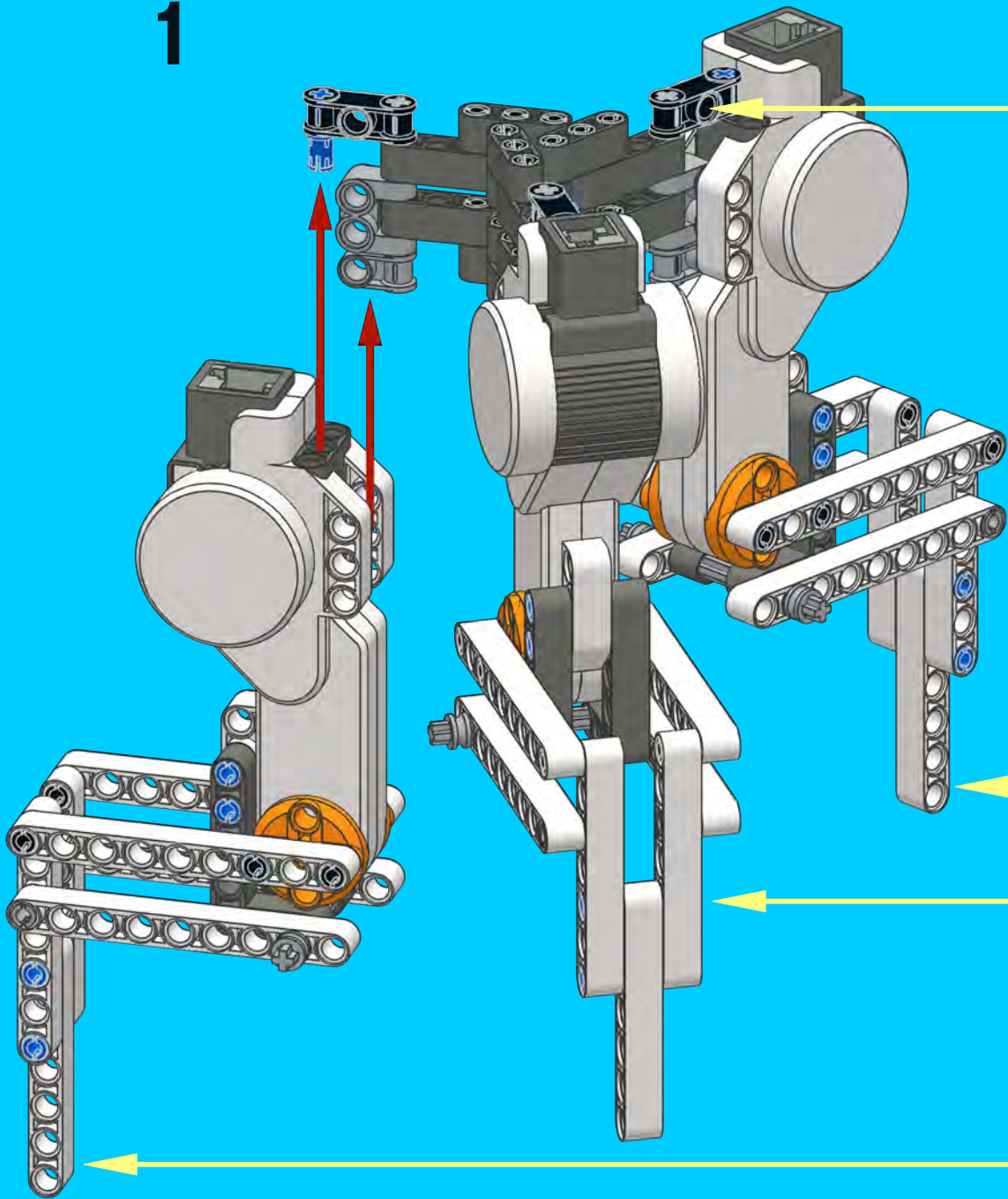


7





1



x3



2



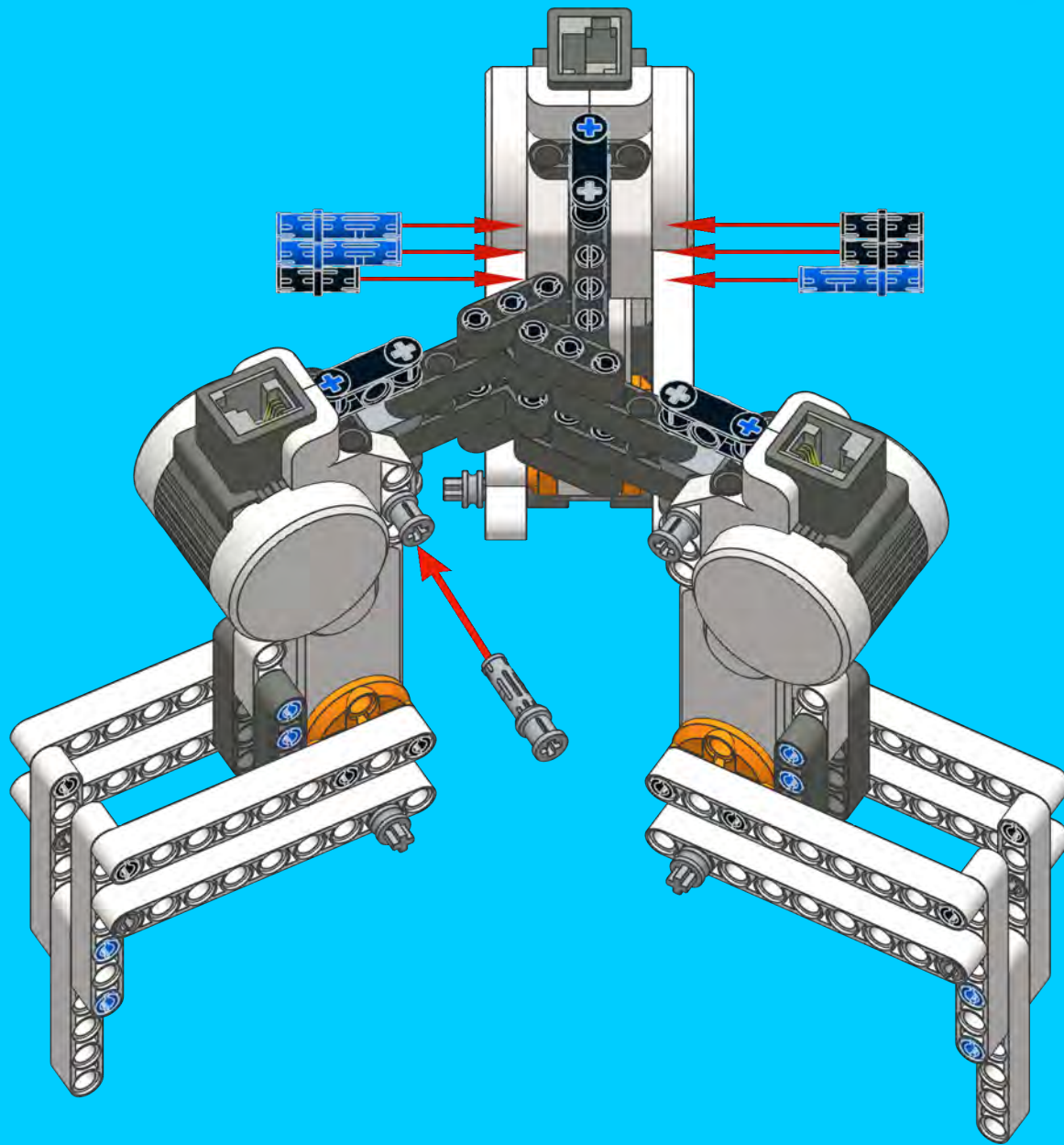
3x



3x



3x







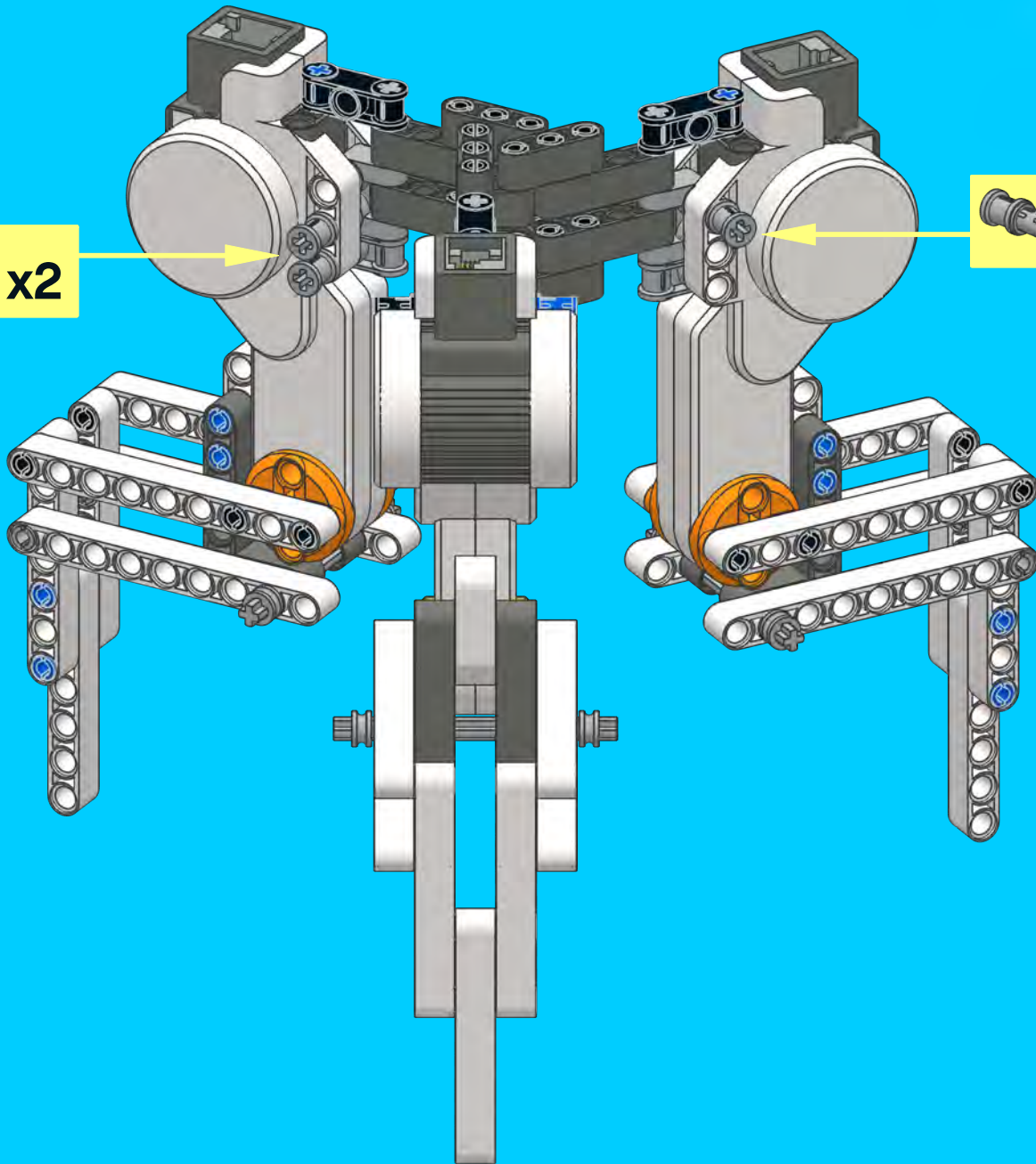
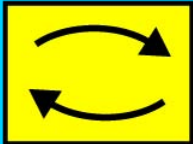
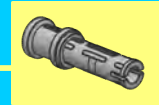
3



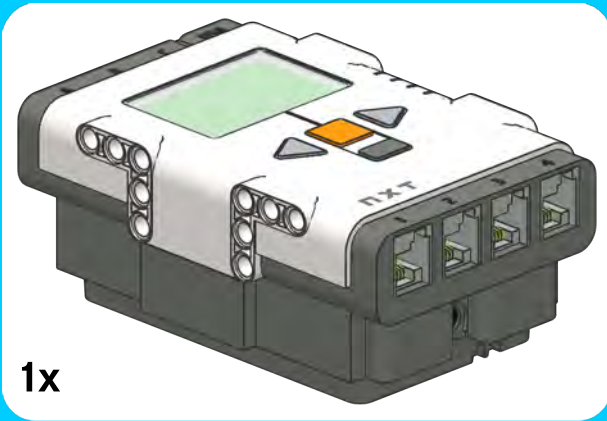
3x



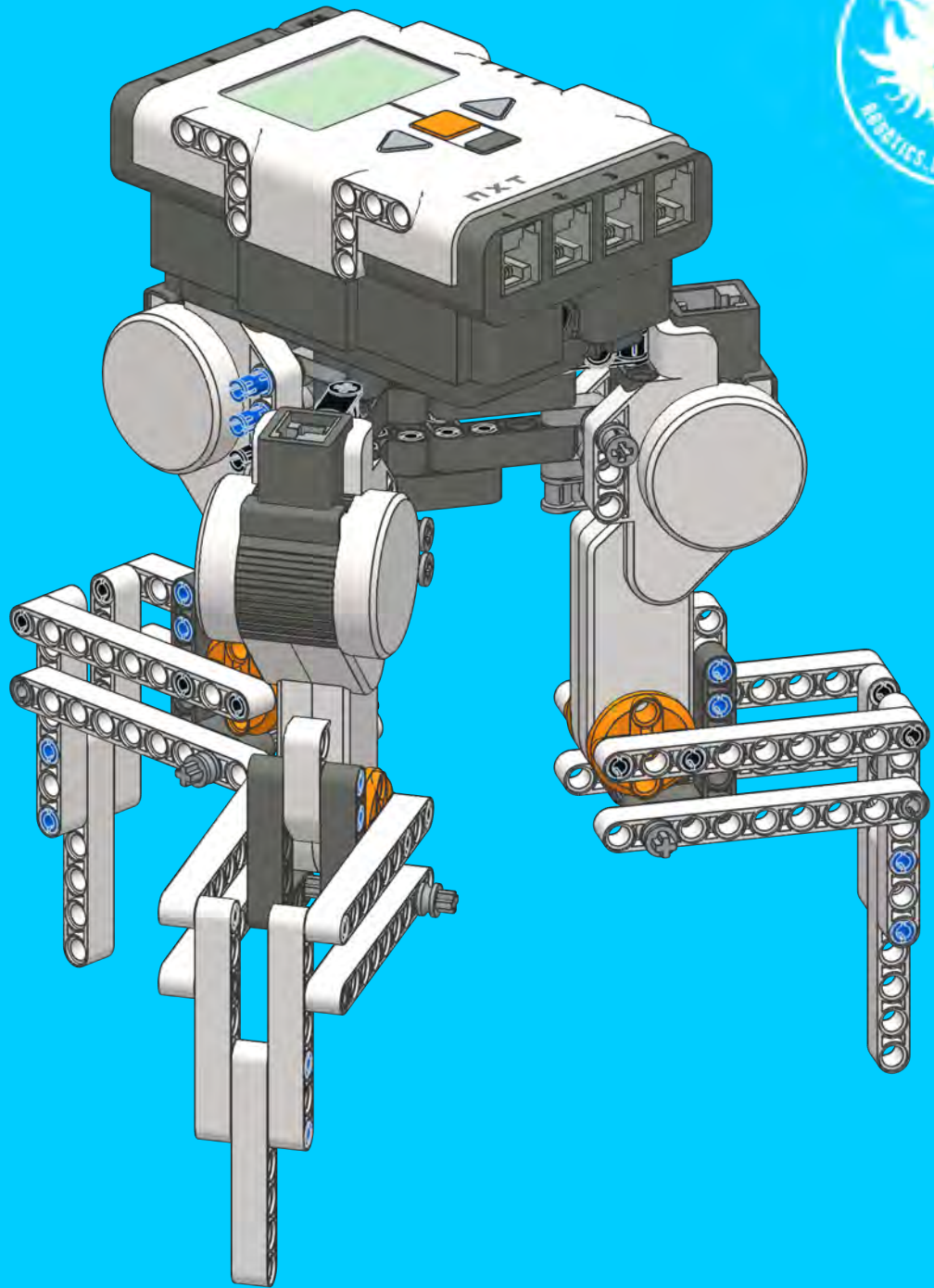
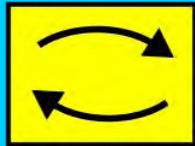
x2



4



1x

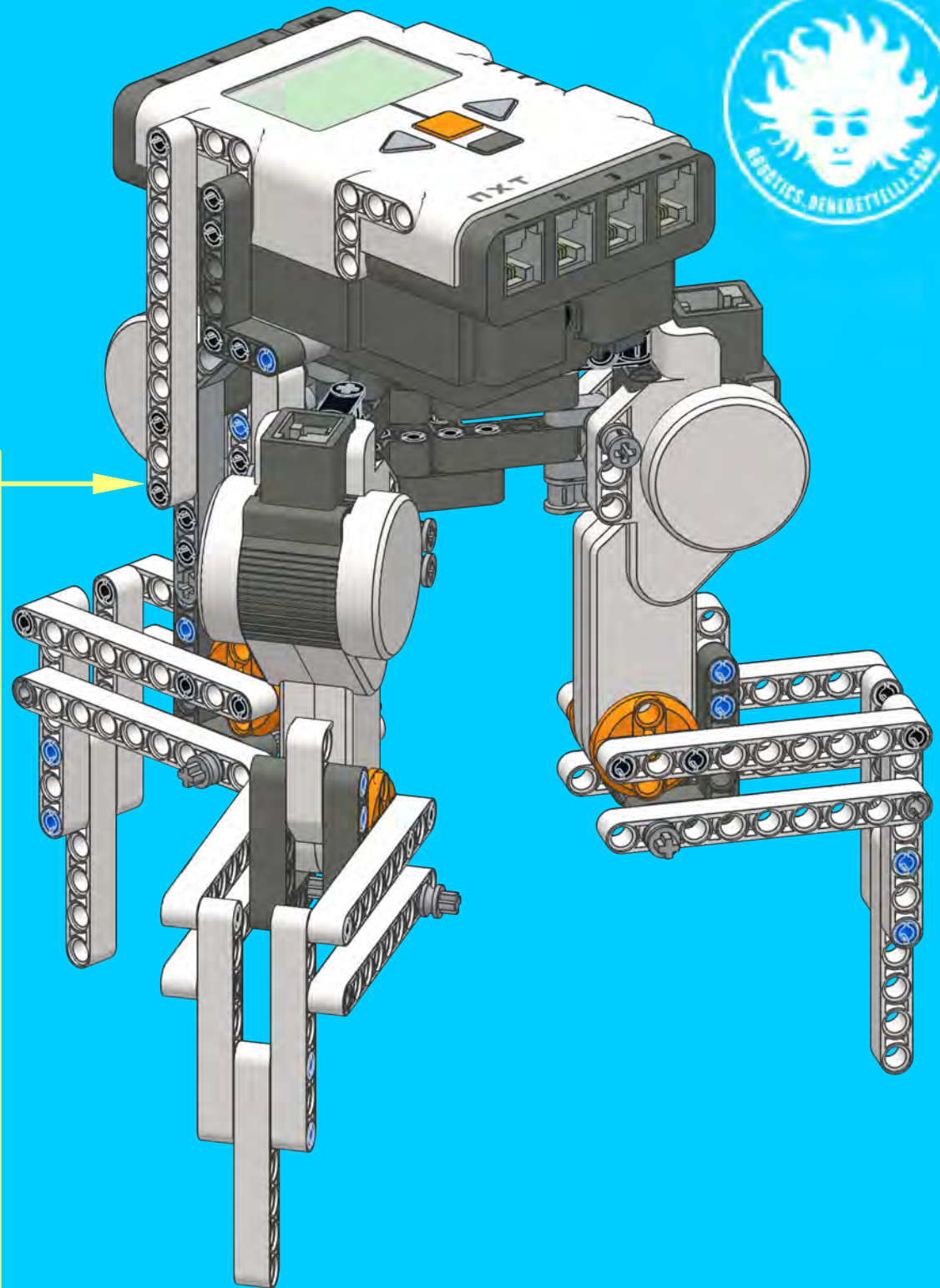
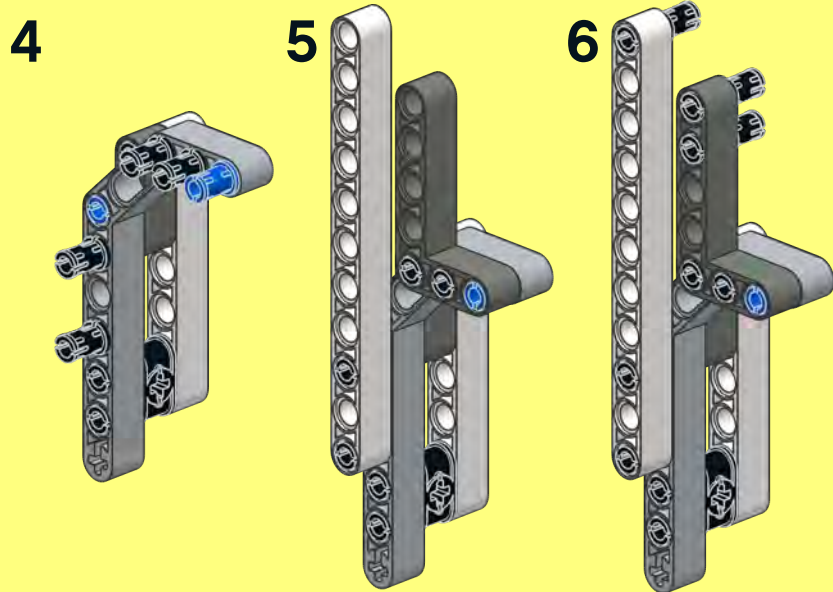
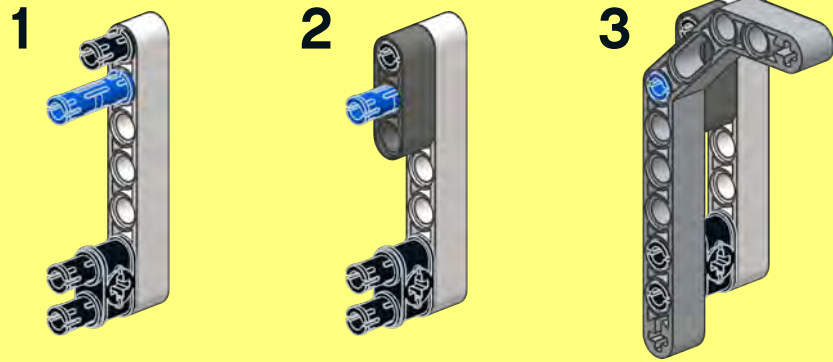






5

- 1x 3
- 1x 11
- 1x 7
- 1x 1x
- 1x 1x
- 1x 1x
- 1x 8x

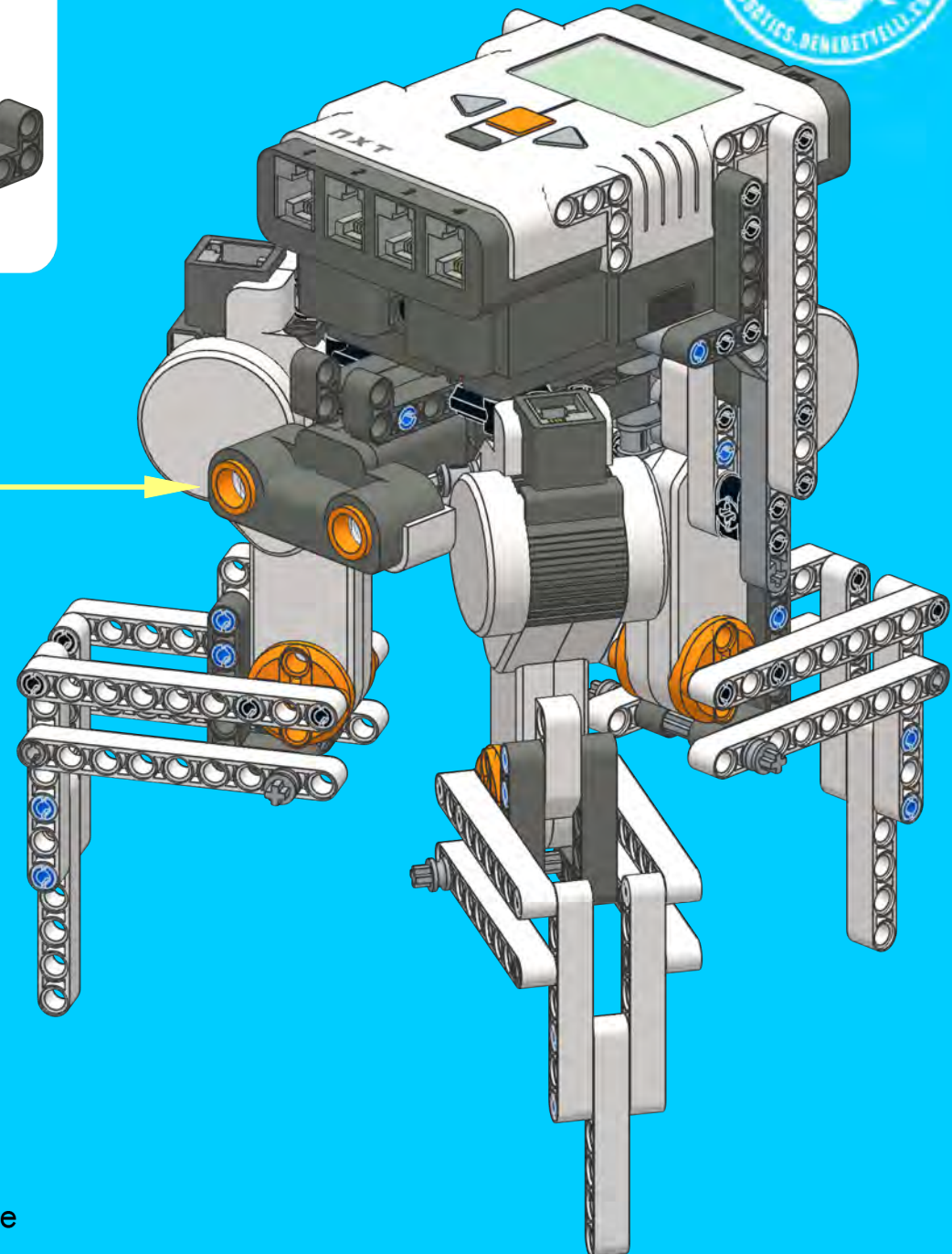
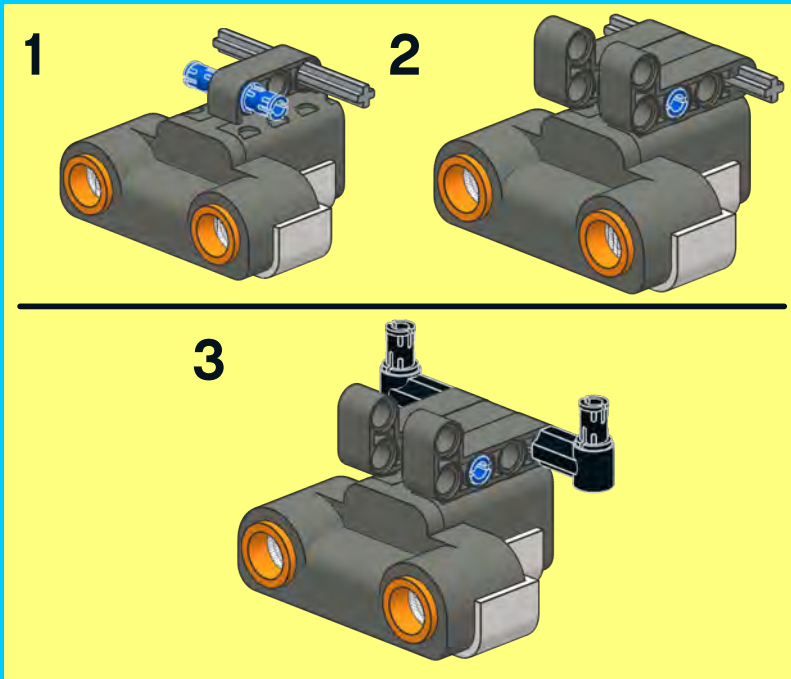
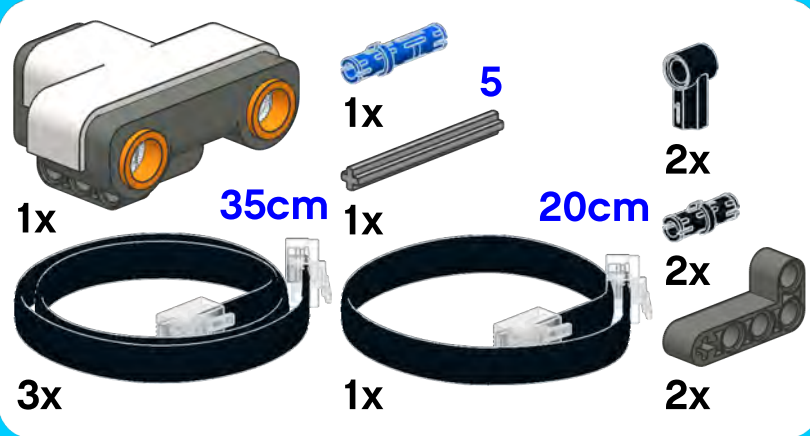








7



- Connect the front right leg motor to OUT A with a 35 cm cable
- Connect the rear leg motor to OUT B with a 35 cm cable
- Connect the front left leg motor to OUT C with a 35 cm cable
- Connect the US sensor to IN 4 with a 20 cm cable